

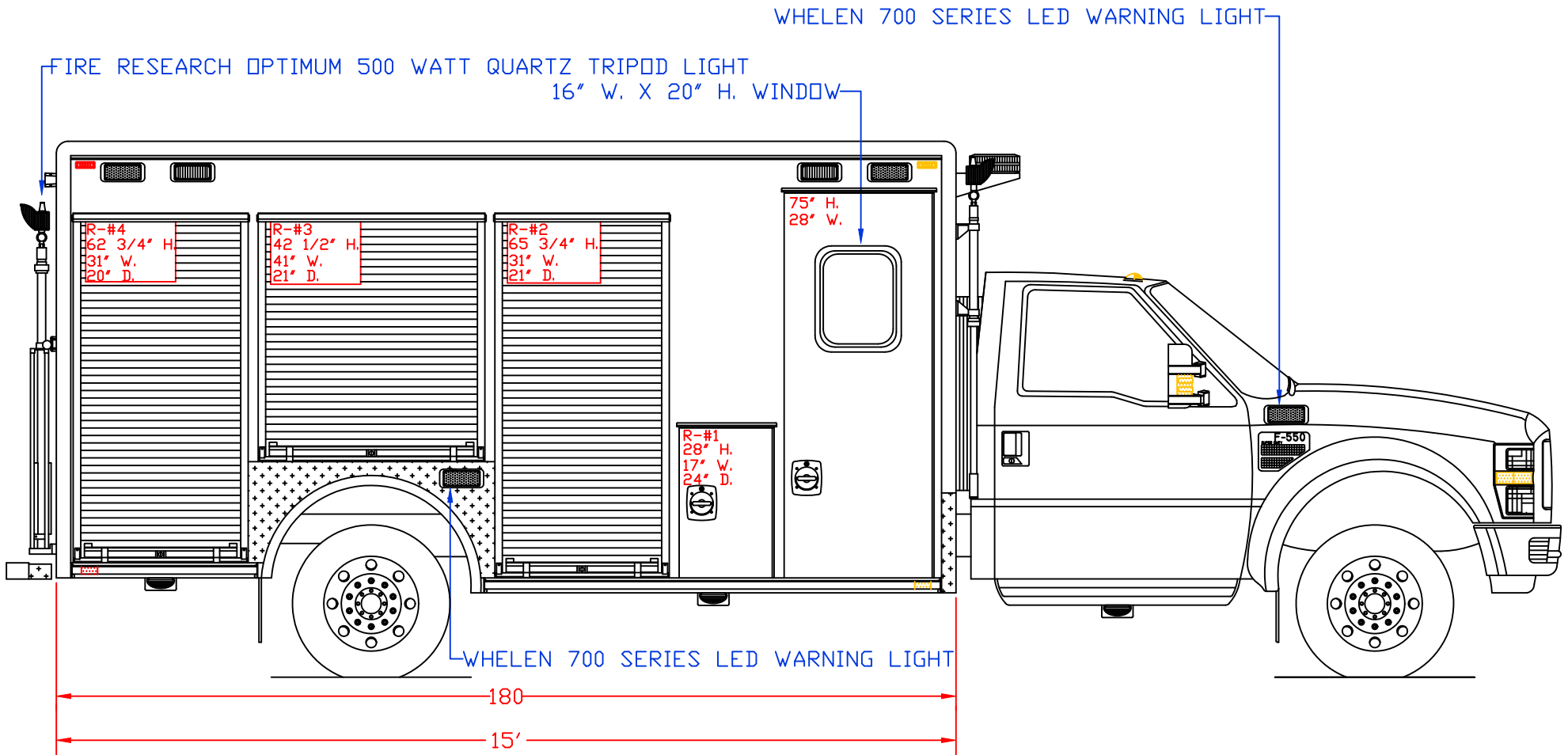
CUSTOMER APPROVED BY:

VEHICLE TYPE: RESCUE	CHASSIS: FORD F-550 4X4
VIEW: STREETSIDE	BODY MAT'L: ALUMINUM
SCALE: NTS	BODY LENGTH: 180"
DRAWN BY: NRW	APPROVED BY: M.P.
DATE: 3/17/2009	BODY STYLE:
DWG NO.: MCB550FRONTPASS	REVISION:

Maintainer Custom Bodies, Inc.

909 So. East St. 800-843-4288 Toll Free
 Rock Rapids, Ia. 51246 712-472-4725 Phone

PROPOSAL FOR:



CUSTOMER APPROVED BY:

VEHICLE TYPE: RESCUE

VIEW: CURBSIDE

SCALE: NTS

DRAWN BY: NRW

DATE: 3/17/2009

DWG NO.: MCB550FRONTPASS

CHASSIS: FORD F-550 4X4

BODY MAT'L: ALUMINUM

BODY LENGTH: 180"

APPROVED BY: MP

BODY STYLE:

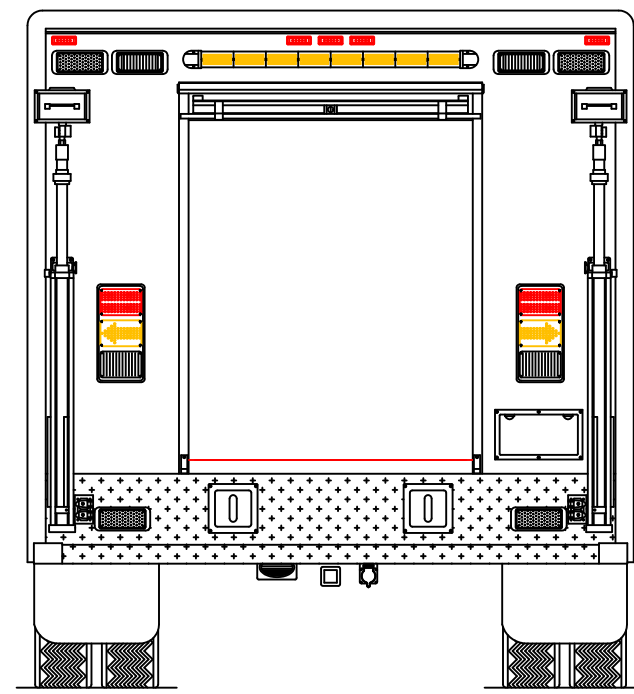
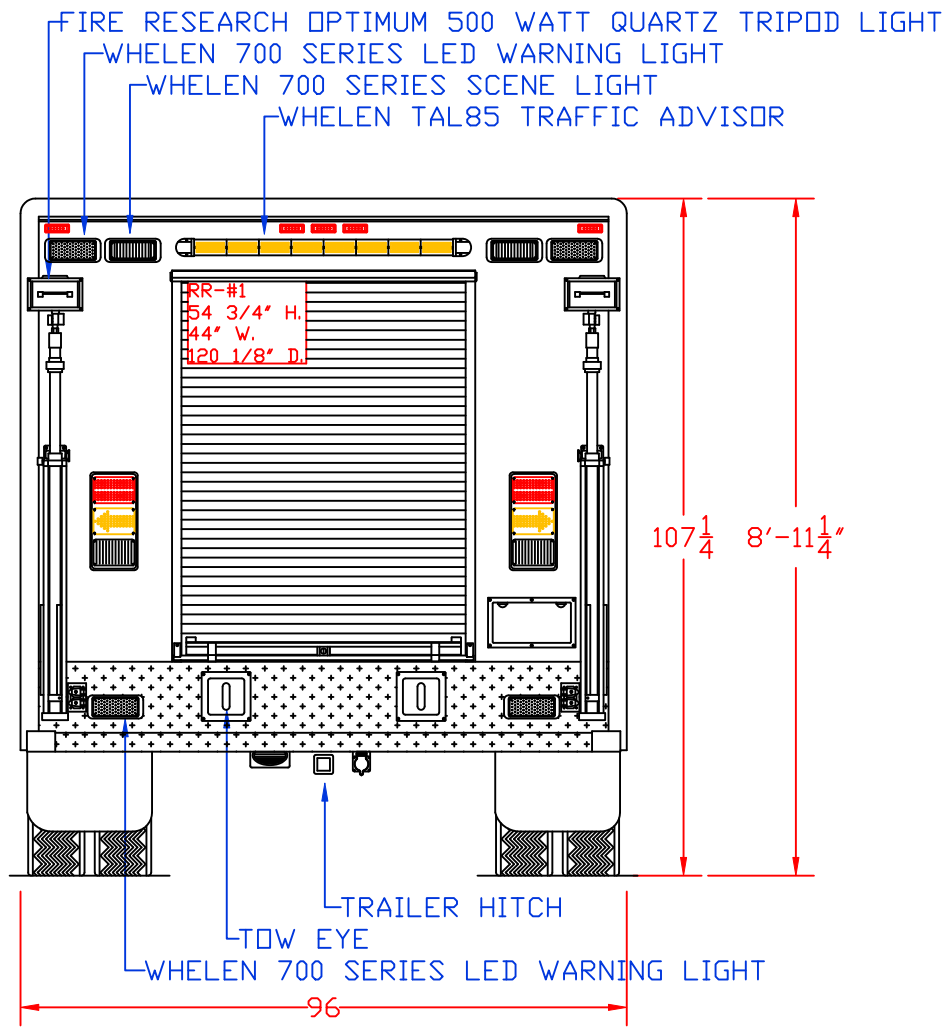
REVISION:

Maintainer Custom Bodies, Inc.

909 So. East St.
Rock Rapids, Ia. 51246

800-843-4288 Toll Free
712-472-4725 Phone

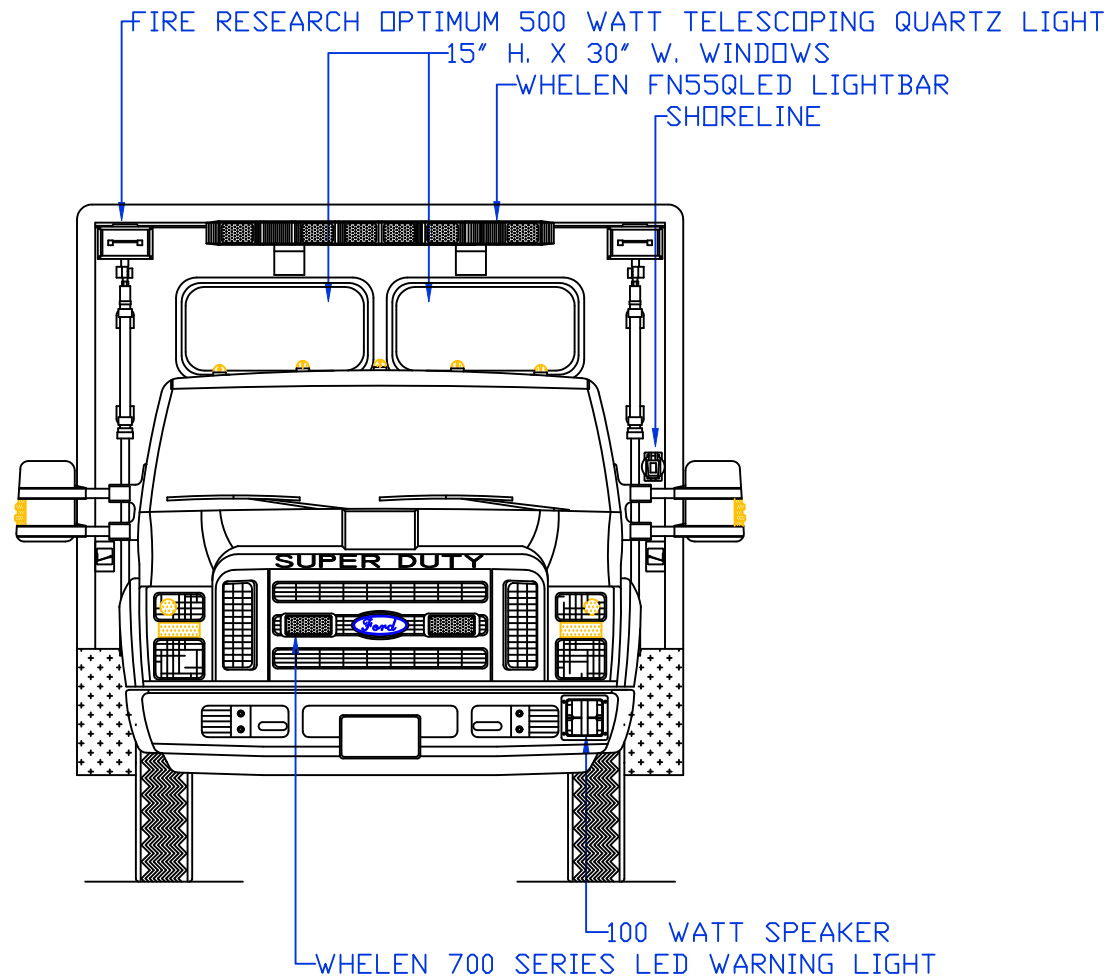
PROPOSAL FOR:



Maintainer Custom Bodies, Inc.
 909 So. East St. 800-843-4288 Toll Free
 Rock Rapids, Ia. 51246 712-472-4725 Phone

CUSTOMER APPROVED BY:	
VEHICLE TYPE: RESCUE	CHASSIS: FORD F-550 4X4
VIEW: REAR & REAR COMPARTMENT LAYOUT	BODY MAT'L: ALUMINUM
SCALE: NTS	BODY LENGTH: 180"
DRAWN BY: NRW	APPROVED BY: MP
DATE: 3/17/2009	BODY STYLE:
DWG NO.: MCB550FRONTPASS	REVISION:

PROPOSAL FOR:



CUSTOMER APPROVED BY:

VEHICLE TYPE: RESCUE

VIEW: FRONT

SCALE: NTS

DRAWN BY: NRW

DATE: 3/17/2009

DWG NO.: MCB550FRONTPASS

CHASSIS: FORD F-550 4X4

BODY MAT'L: ALUMINUM

BODY LENGTH: 180"

APPROVED BY: MP

BODY STYLE:

REVISION:

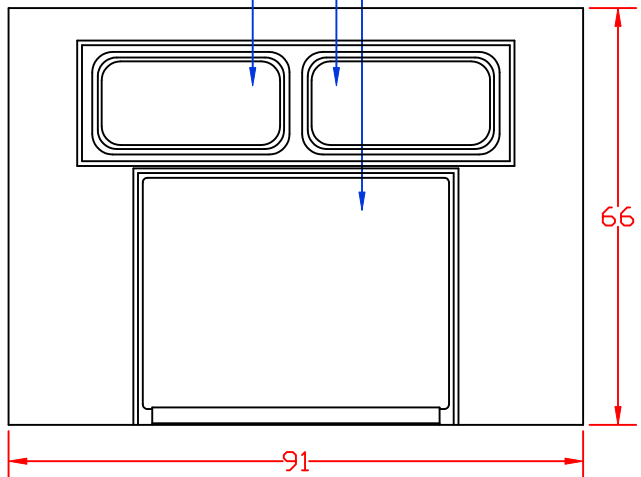
Maintainer Custom Bodies, Inc.

909 So. East St.
Rock Rapids, Ia. 51246

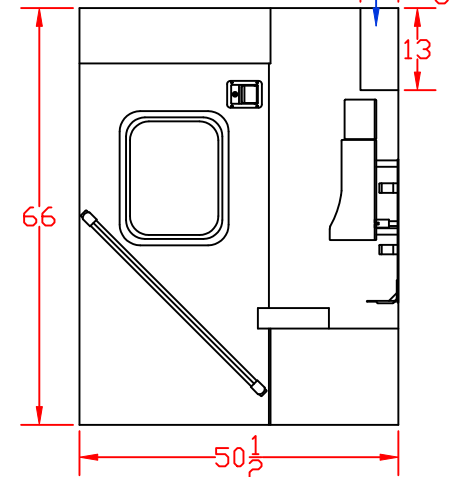
800-843-4288 Toll Free
712-472-4725 Phone

PROPOSAL FOR:

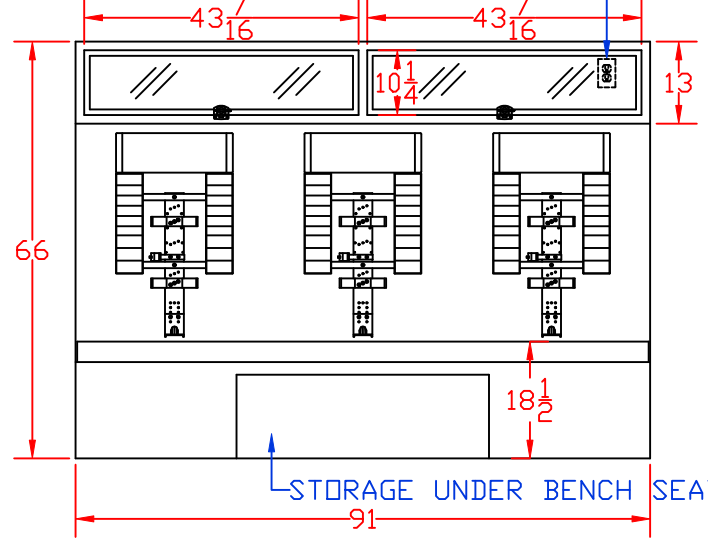
FRONT
15" X 30" WINDOWS
WALK THRU TO CHASSIS CAB



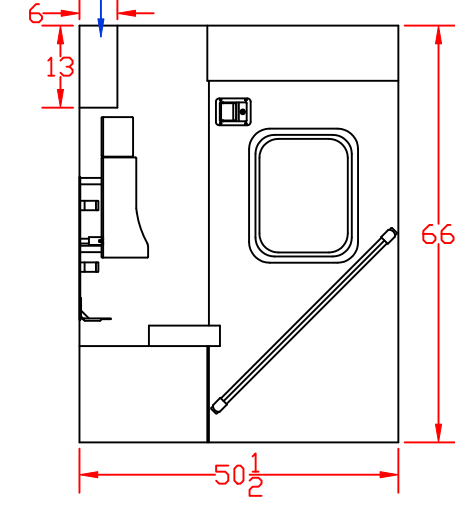
OVERHEAD CABINET
CURBSIDE



BACK
110 VOLT OUTLET



STREETSIDE
OVERHEAD CABINET

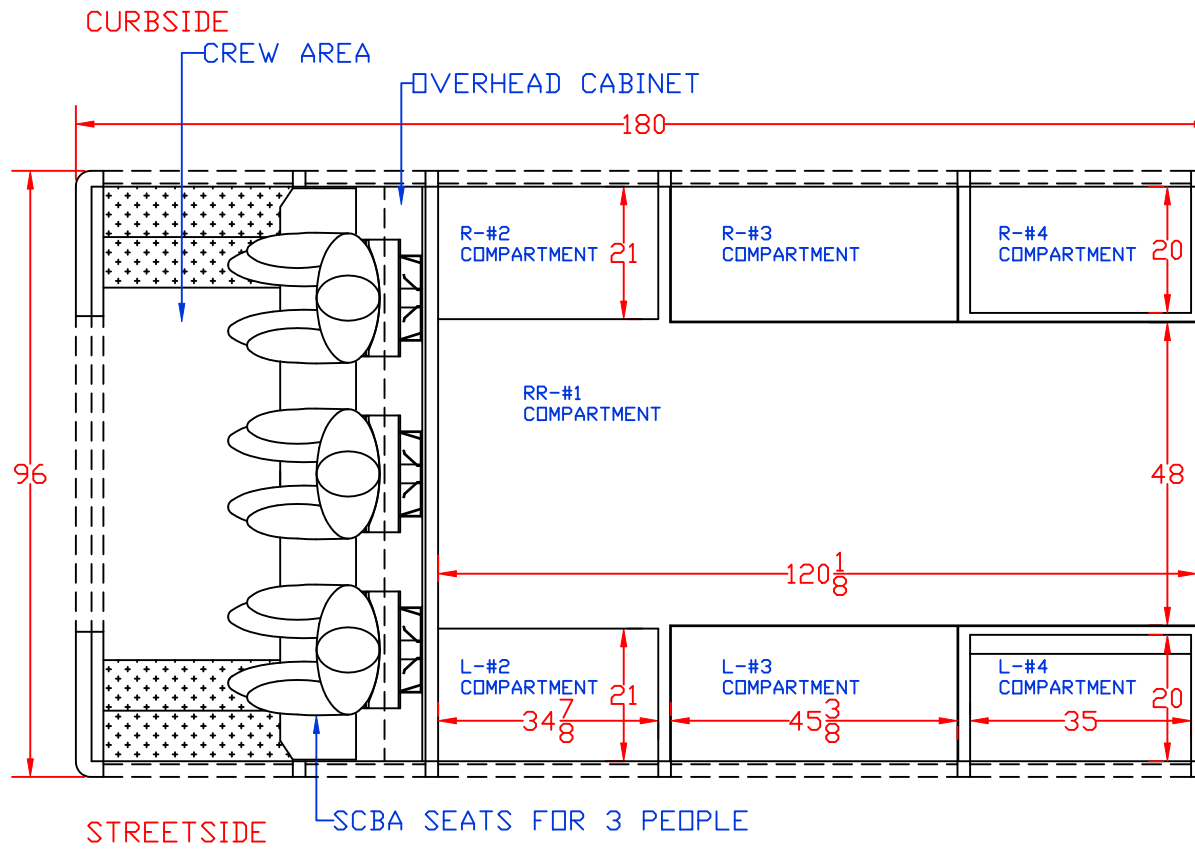


Maintainer Custom Bodies, Inc.
909 So. East St. 800-843-4288 Toll Free
Rock Rapids, Ia. 51246 712-472-4725 Phone

CUSTOMER APPROVED BY: _____

VEHICLE TYPE: RESCUE	CHASSIS: FORD F-550 4X4
VIEW: CREW AREA	BODY MAT'L: ALUMINUM
SCALE: NTS	BODY LENGTH: 180"
DRAWN BY: NRW	APPROVED BY: MP
DATE: 3/17/2009	BODY STYLE:
DWG NO.: MCB550FRONTPASS	REVISION:

PROPOSAL FOR:

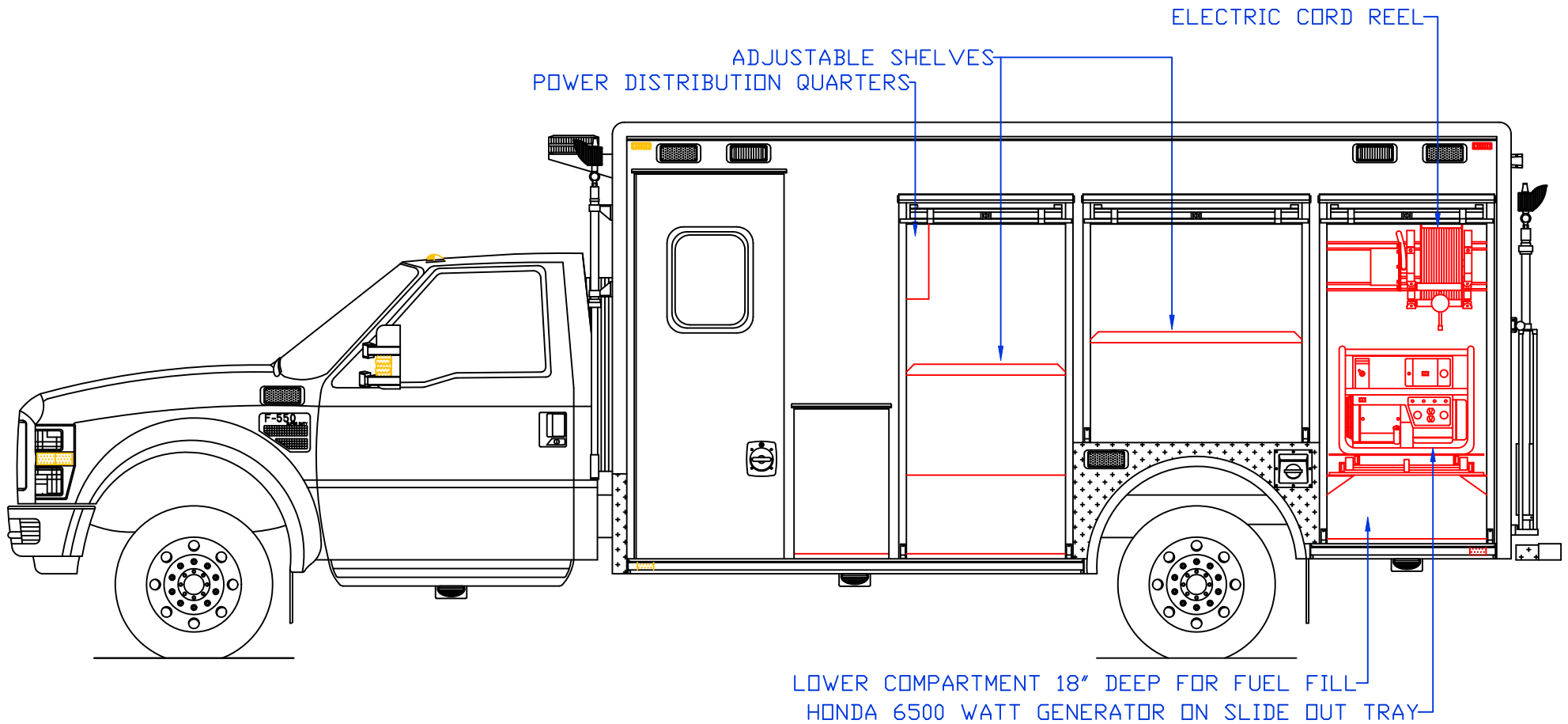


CUSTOMER APPROVED BY: _____

VEHICLE TYPE: RESCUE	CHASSIS: FORD F-550 4X4
VIEW: TOP	BODY MAT'L: ALUMINUM
SCALE: NTS	BODY LENGTH: 180"
DRAWN BY: NRW	APPROVED BY: MP
DATE: 3/17/2009	BODY STYLE:
DWG NO.: MCB550FRONTPASS	REVISION:

Maintainer Custom Bodies, Inc.
 909 So. East St. 800-843-4288 Toll Free
 Rock Rapids, Ia. 51246 712-472-4725 Phone

PROPOSAL FOR:



CUSTOMER APPROVED BY:

VEHICLE TYPE: RESCUE

VIEW: STREETSIDE COMPARTMENT LAYOUT

SCALE: NTS

DRAWN BY: NRW

DATE: 3/17/2009

DWG NO.: MCB550FRONTPASS

CHASSIS: FORD F-550 4X4

BODY MAT'L: ALUMINUM

BODY LENGTH: 180"

APPROVED BY: MP

BODY STYLE:

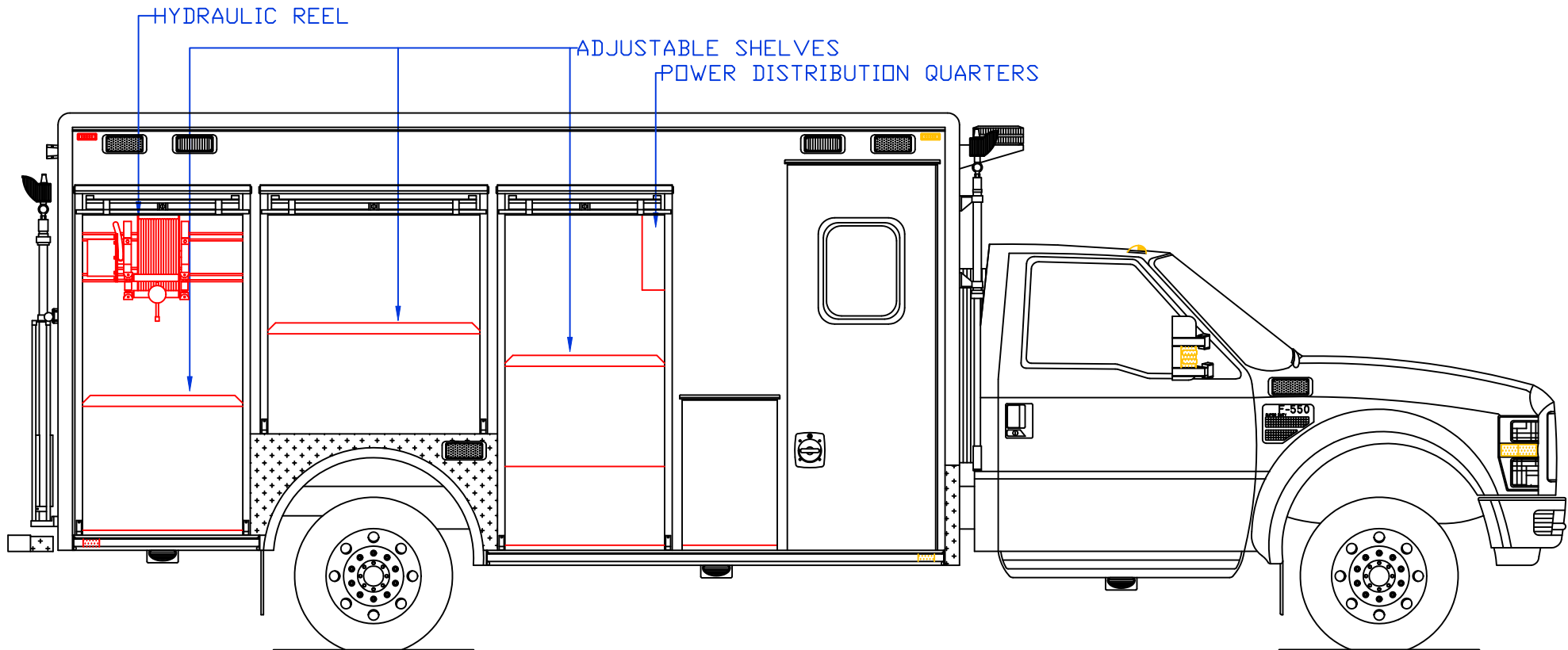
REVISION:

Maintainer Custom Bodies, Inc.

909 So. East St.
Rock Rapids, Ia. 51246

800-843-4288 Toll Free
712-472-4725 Phone

PROPOSAL FOR:



CUSTOMER APPROVED BY:

VEHICLE TYPE: RESCUE

VIEW: CURBSIDE COMPARTMENT LAYOUT

SCALE: NTS

DRAWN BY: NRW

DATE: 3/17/2009

DWG NO.: MCB550FRONTPASS

CHASSIS: FORD F-550 4X4

BODY MAT'L: ALUMINUM

BODY LENGTH: 180"

APPROVED BY: MP

BODY STYLE:

REVISION:

Maintainer Custom Bodies, Inc.

909 So. East St.
Rock Rapids, Ia. 51246

800-843-4288 Toll Free
712-472-4725 Phone

PROPOSAL FOR: