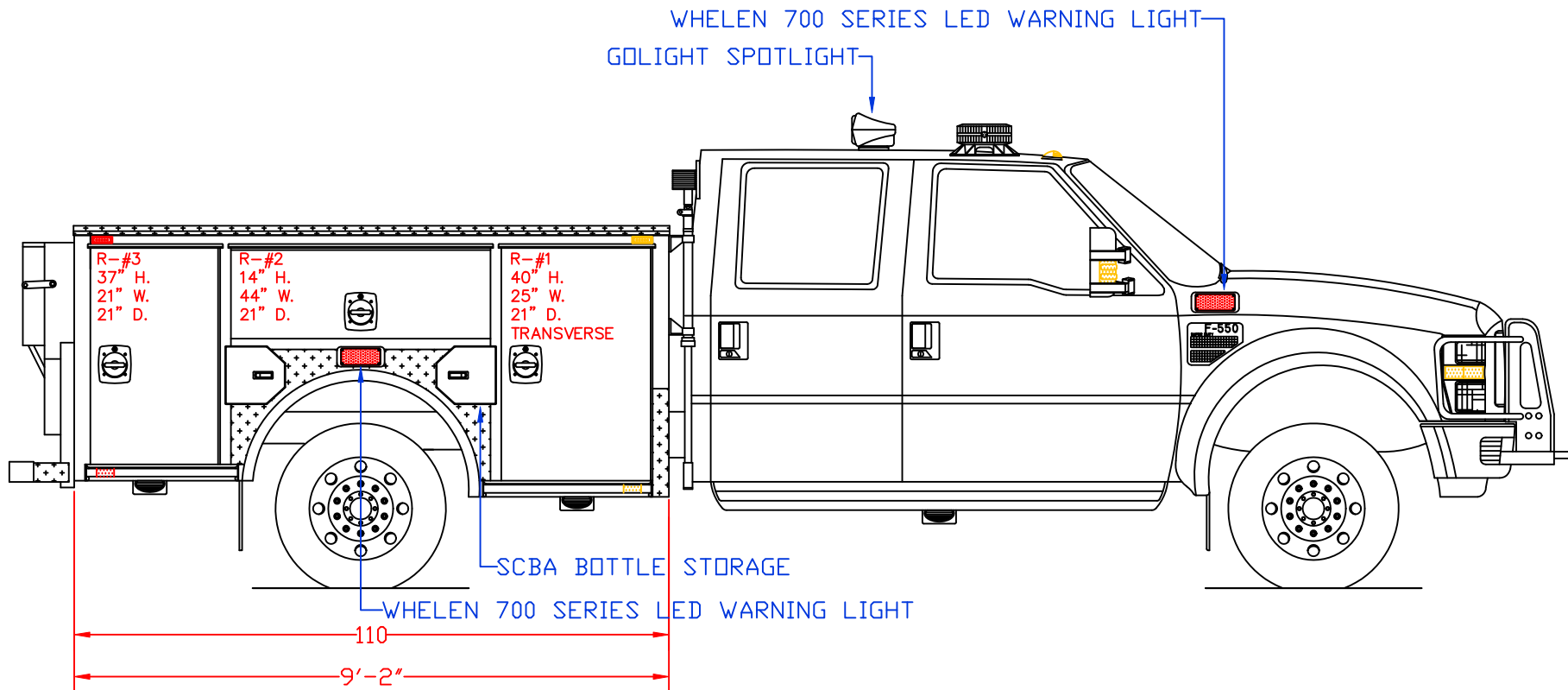


**Maintainer Custom Bodies, Inc.**  
 909 So. East St. 800-843-4288 Toll Free  
 Rock Rapids, Ia. 51246 712-472-4725 Phone

CUSTOMER APPROVED BY:

VEHICLE TYPE:HAZMAT	CHASSIS: FORD F-550 4 DOOR 4X4
VIEW: STREETSIDE	BODY MAT'L: ALUMINUM
SCALE: NTS	BODY LENGTH:110"
DRAWN BY: NRW	APPROVED BY:MP
DATE: 8/10/2009	BODY STYLE:
DWG NO.: SANBERNARDINOCO	REVISION:

PROPOSAL FOR: SAN BERNARDINO COUNTY



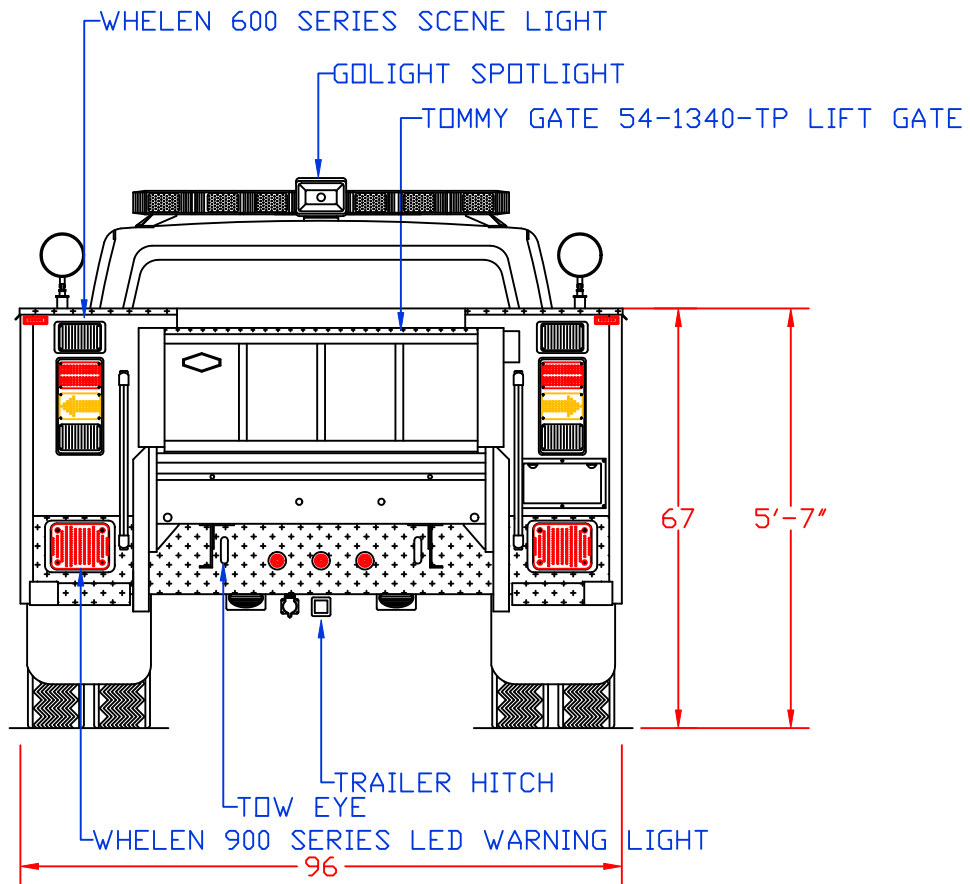
**Maintainer Custom Bodies, Inc.**

909 So. East St. 800-843-4288 Toll Free  
 Rock Rapids, Ia. 51246 712-472-4725 Phone

CUSTOMER APPROVED BY:

VEHICLE TYPE:HAZMAT	CHASSIS: FORD F-550 4 DOOR 4X4
VIEW: CURBSIDE	BODY MAT'L: ALUMINUM
SCALE: NTS	BODY LENGTH:110"
DRAWN BY: NRW	APPROVED BY:MP
DATE: 8/10/2009	BODY STYLE:
DWG NO.: SANBERNARDINOCO	REVISION:

PROPOSAL FOR: SAN BERNARDINO COUNTY



CUSTOMER APPROVED BY:

VEHICLE TYPE:HAZMAT

CHASSIS: FORD F-550 4 DOOR 4X4

VIEW: REAR

BODY MAT'L: ALUMINUM

SCALE: NTS

BODY LENGTH:110"

DRAWN BY: NRW

APPROVED BY:MP

DATE: 8/10/2009

BODY STYLE:

DWG NO.: SANBERNARDINOCO

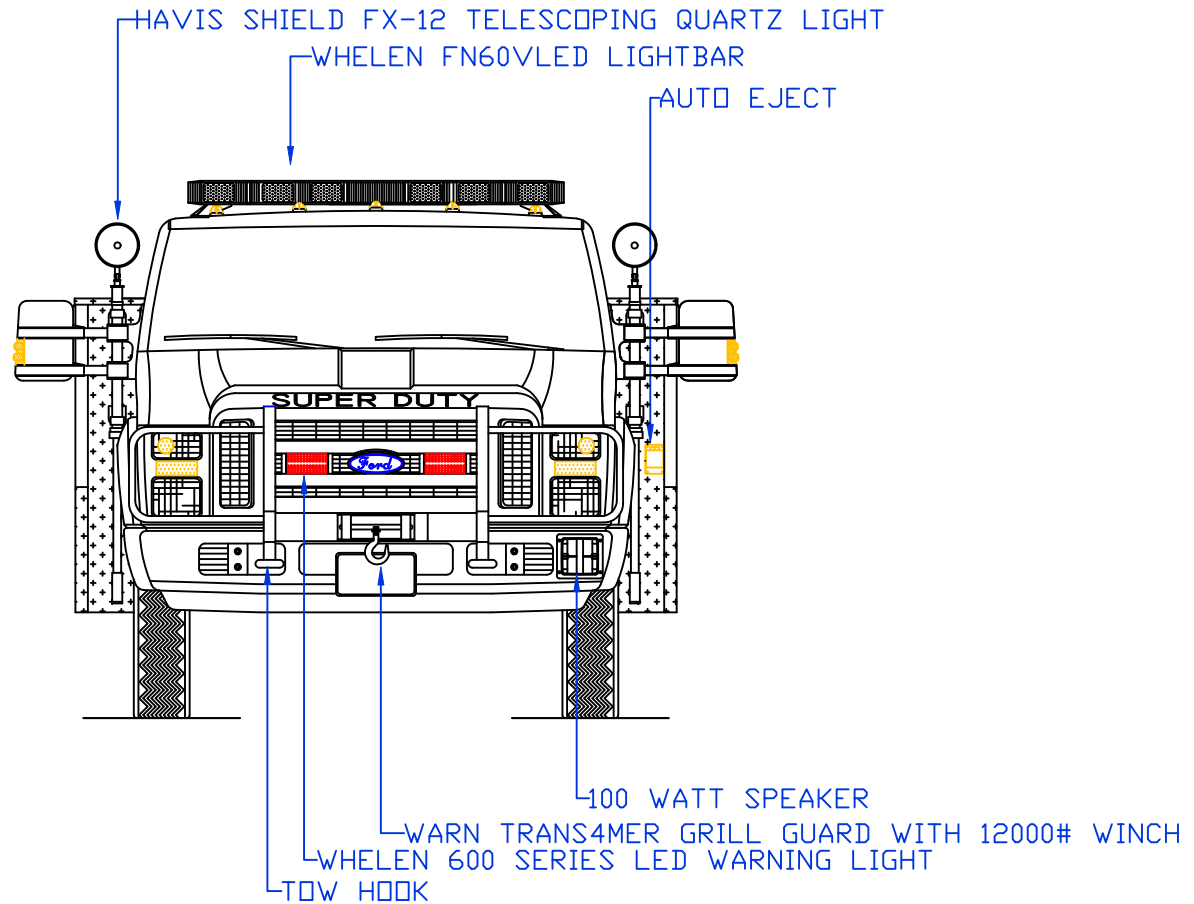
REVISION:

**Maintainer Custom Bodies, Inc.**

909 So. East St.  
Rock Rapids, Ia. 51246

800-843-4288 Toll Free  
712-472-4725 Phone

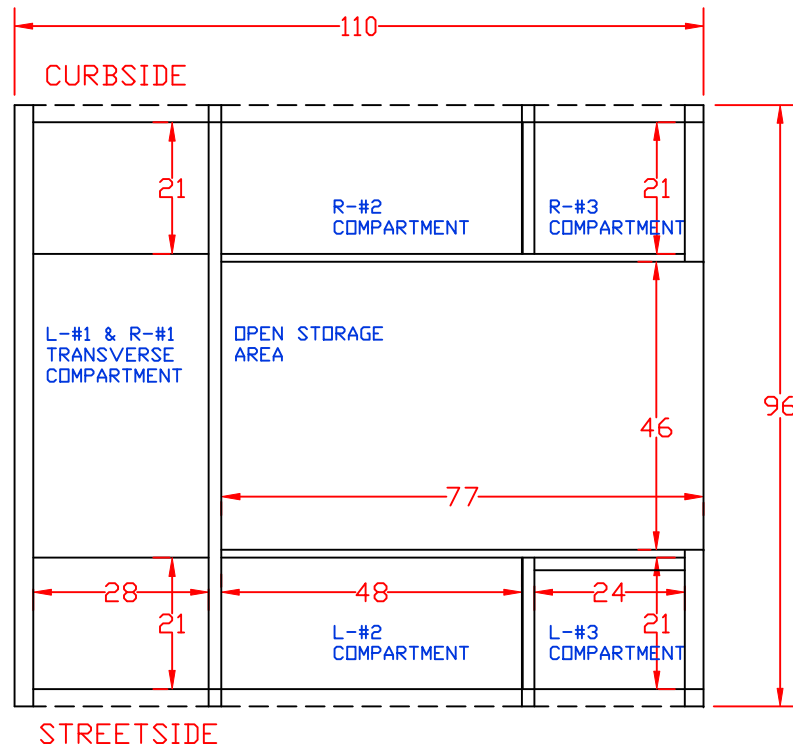
PROPOSAL FOR: SAN BERNARDINO COUNTY



**Maintainer Custom Bodies, Inc.**  
 909 So. East St. 800-843-4288 Toll Free  
 Rock Rapids, Ia. 51246 712-472-4725 Phone

**CUSTOMER APPROVED BY:**

VEHICLE TYPE:HAZMAT	CHASSIS: FORD F-550 4 DOOR 4X4
VIEW: FRONT	BODY MAT'L: ALUMINUM
SCALE: NTS	BODY LENGTH:110"
DRAWN BY: NRW	APPROVED BY:MP
DATE: 8/10/2009	BODY STYLE:
DWG NO.: SANBERNARDINOCO	REVISION:



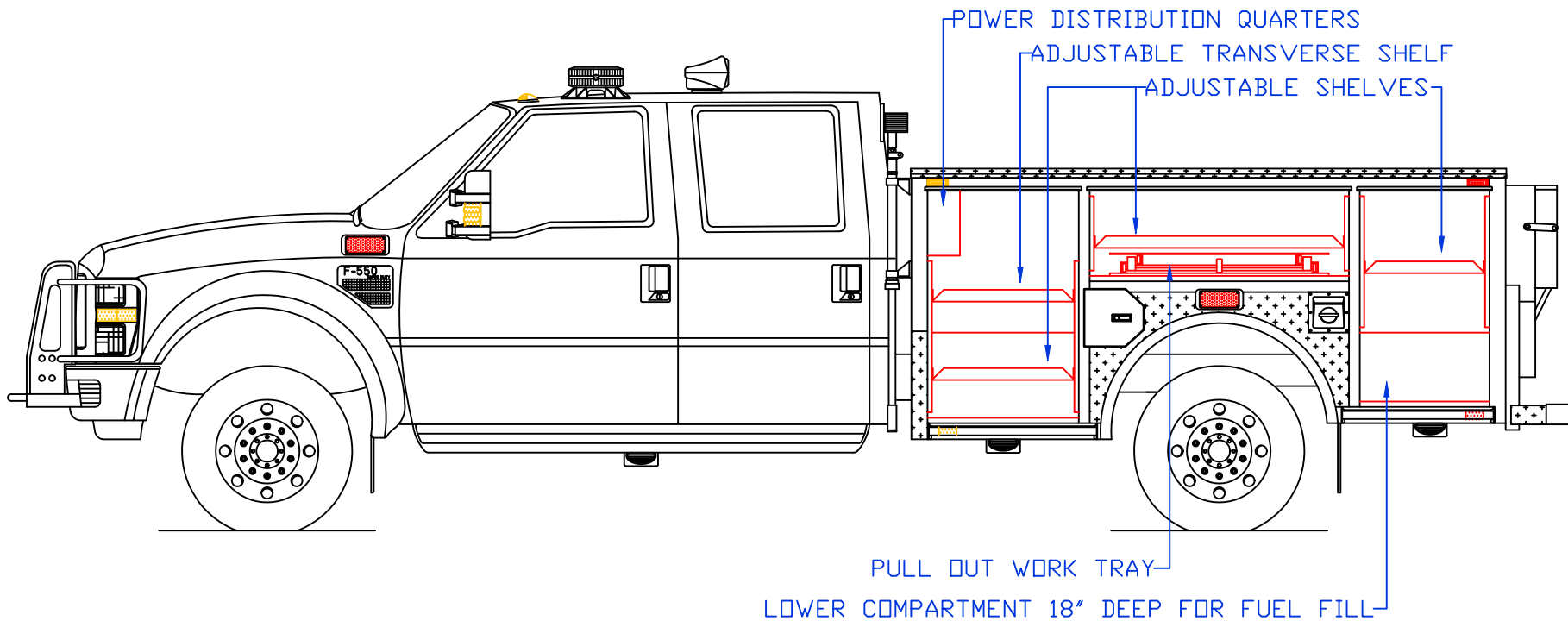
**Maintainer Custom Bodies, Inc.**

909 So. East St. 800-843-4288 Toll Free  
 Rock Rapids, Ia. 51246 712-472-4725 Phone

CUSTOMER APPROVED BY: \_\_\_\_\_

VEHICLE TYPE: HAZMAT	CHASSIS: FORD F-550 4 DOOR 4X4
VIEW: TOP	BODY MAT'L: ALUMINUM
SCALE: NTS	BODY LENGTH: 110"
DRAWN BY: NRW	APPROVED BY: MP
DATE: 8/10/2009	BODY STYLE:
DWG NO.: SANBERNARDINOCO	REVISION:

PROPOSAL FOR: SAN BERNARDINO COUNTY



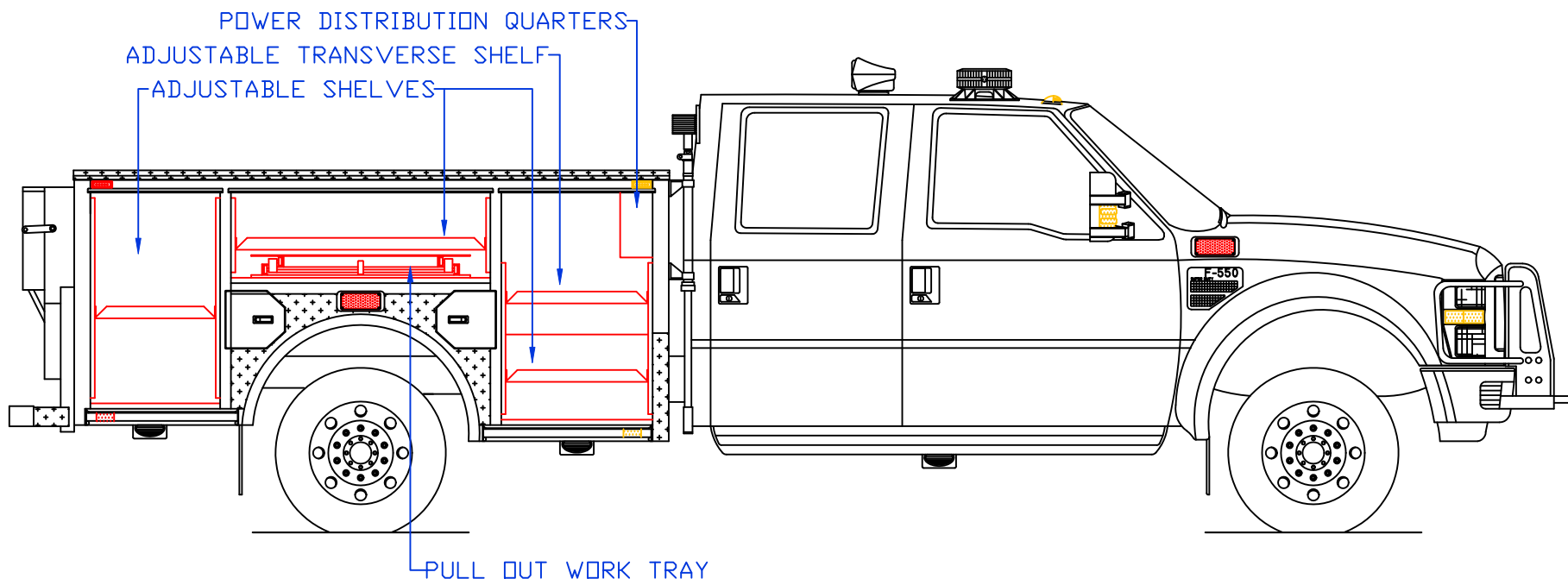
**CUSTOMER APPROVED BY:** \_\_\_\_\_

VEHICLE TYPE: HAZMAT	CHASSIS: FORD F-550 4 DOOR 4X4
VIEW: STREETSIDE COMPARTMENT LAYOUT	BODY MAT'L: ALUMINUM
SCALE: NTS	BODY LENGTH: 110"
DRAWN BY: NRW	APPROVED BY: MP
DATE: 8/10/2009	BODY STYLE:
DWG NO.: SANBERNARDINOCO	REVISION:

**Maintainer Custom Bodies, Inc.**

909 So. East St. 800-843-4288 Toll Free  
 Rock Rapids, Ia. 51246 712-472-4725 Phone

PROPOSAL FOR: SAN BERNARDINO COUNTY



**CUSTOMER APPROVED BY:**

VEHICLE TYPE:HAZMAT	CHASSIS: FORD F-550 4 DOOR 4X4
VIEW: CURBSIDE COMPARTMENT LAYOUT	BODY MAT'L: ALUMINUM
SCALE: NTS	BODY LENGTH:110"
DRAWN BY: NRW	APPROVED BY:MP
DATE: 8/10/2009	BODY STYLE:
DWG NO.: SANBERNARDINOCO	REVISION:

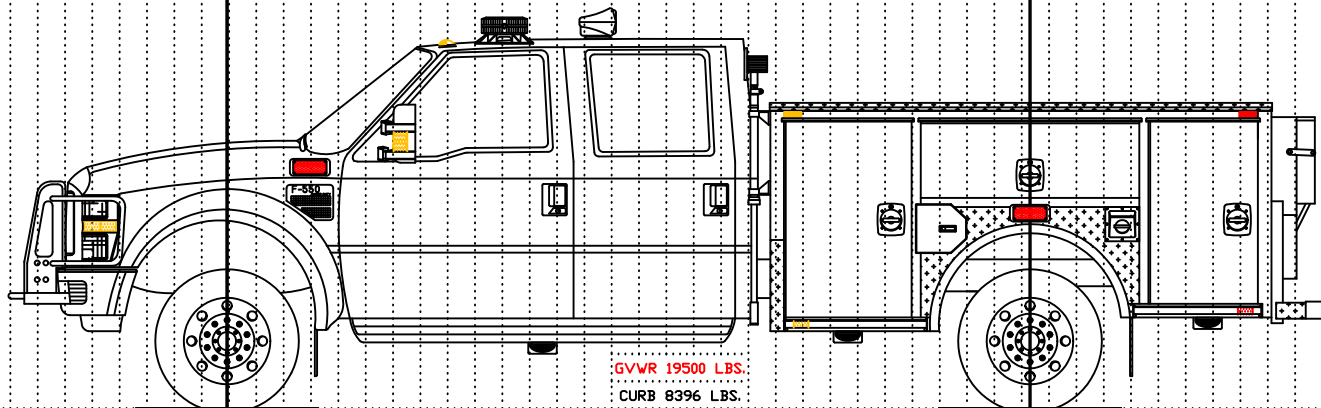
**Maintainer Custom Bodies, Inc.**

909 So. East St. 800-843-4288 Toll Free  
 Rock Rapids, Ia. 51246 712-472-4725 Phone

PROPOSAL FOR: SAN BERNARDINO COUNTY

FORD F-550

WHEEL BASE 176 1/4"  
CAB TO AXLE 84"



FRONT  
GAW RATING 7000 LBS.  
CURB WEIGHT 5092 LBS.

REAR  
GROSS AXLE WEIGHT RATING 14700 LBS.  
ESTIMATED CURB WEIGHT 3304 LBS.

		%		%	
9'-2" WALK AROUND BODY	31 LBS.	2%	1525 LBS.	98%	1494 LBS.
40 GALLONS FUEL	-38 LBS.	-13%		113%	330 LBS.
EMERGENCY LIGHTING	77 LBS.	45%		55%	93 LBS.
4 CHASSIS PERSONAL	570 LBS.	57%	1000 LBS.	43%	430 LBS.
TOMMY LIFT	-120 LBS.	-33%		133%	485 LBS.
					365 LBS.
					170 LBS.
					1000 LBS.
TOTAL	5612 LBS.				TOTAL 6136 LBS.
GAWR SURPLUS	1388 LBS.				GROSS AXLE WEIGHT RATING SURPLUS 8564 LBS.

TOTAL ESTIMATED WEIGHT OF CHASSIS & BODY 11748 LBS.  
19500# GVWR, TOTAL ESTIMATED GVWR SURPLUS 7752 LBS.

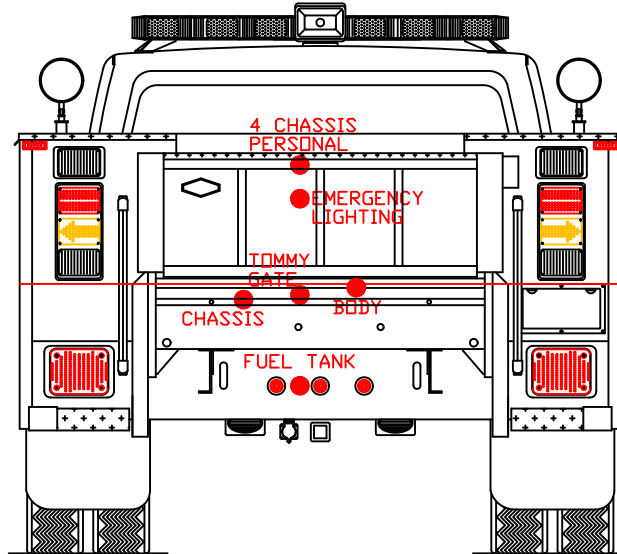
**Maintainer Custom Bodies, Inc.**

909 So. East St. 800-843-4288 Toll Free  
Rock Rapids, Ia. 51246 712-472-4725 Phone

CUSTOMER APPROVED BY:

VEHICLE TYPE: HAZMAT	CHASSIS: FORD F-550 4 DOOR 4X4
VIEW: WEIGHT	BODY MAT'L: ALUMINUM
SCALE: NTS	BODY LENGTH: 110"
DRAWN BY: NRW	APPROVED BY: MP
DATE: 8/10/2009	BODY STYLE:
DWG NO.: SANBERNARDINOCO	REVISION:

CHASSIS	28337 LBS.
9'-2" WALK AROUND BODY	5393 LBS.
40 GALLONS FUEL	651 LBS.
EMERGENCY LIGHTING	800 LBS.
4 CHASSIS PERSONAL	5166 LBS.
TOMMY GATE	1255 LBS.
TOTAL	41602 LBS.



43"  
CENTER OF GRAVITY  
49% OF VEHICLE HEIGHT

**Maintainer Custom Bodies, Inc.**

909 So. East St. 800-843-4288 Toll Free  
Rock Rapids, Ia. 51246 712-472-4725 Phone

CUSTOMER APPROVED BY:

VEHICLE TYPE:HAZMAT	CHASSIS: FORD F-550 4 DOOR 4X4
VIEW: CENTER OF GRAVITY	BODY MAT'L: ALUMINUM
SCALE: NTS	BODY LENGTH:110"
DRAWN BY: NRW	APPROVED BY:MP
DATE: 8/10/2009	BODY STYLE:
DWG NO.: SANBERNARDINOCO	REVISION:

PROPOSAL FOR: SAN BERNARDINO COUNTY